

**TYPICAL ASPHALT  
ALLEY CONSTRUCTION  
AND REPAIR**

**CITY OF GREENFIELD**

**STANDARD DETAIL**

ALLEY PAVEMENT REPLACEMENT DETAIL

Dwn. By: *D. Rodgers*

Origin Date: 11/30/07

Des. No: R-100-01

Rev. Date: 12/10/07

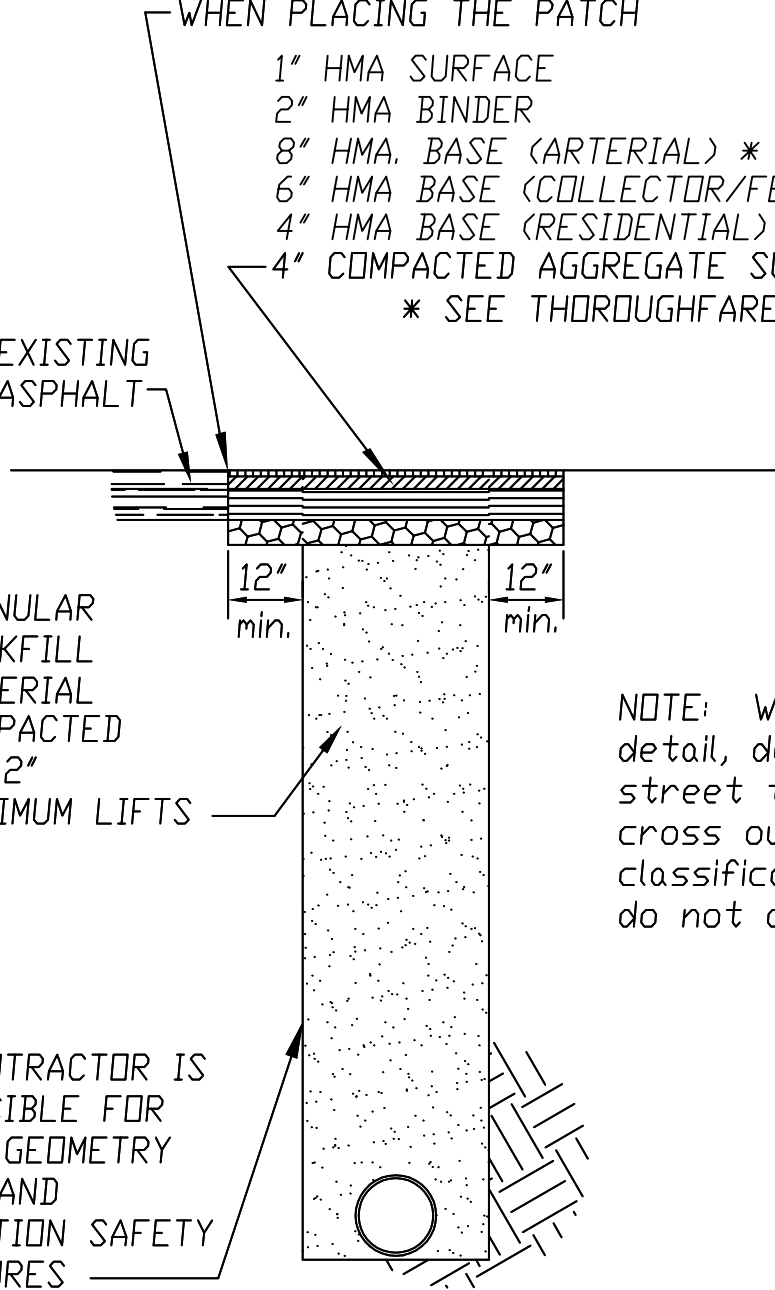
SAWCUT EXISTING ASPHALT  
TO A NEAT EDGE AND TACK  
WITH EMULSIFIED ASPHALT  
WHEN PLACING THE PATCH

- 1" HMA SURFACE
- 2" HMA BINDER
- 8" HMA BASE (ARTERIAL) \*
- 6" HMA BASE (COLLECTOR/FEEDER) \*
- 4" HMA BASE (RESIDENTIAL) \*
- 4" COMPACTED AGGREGATE SUBBASE
- \* SEE THOROUGHFARE PLAN

EXISTING  
ASPHALT

GRANULAR  
BACKFILL  
MATERIAL  
COMPACTED  
IN 12"  
MAXIMUM LIFTS

THE CONTRACTOR IS  
RESPONSIBLE FOR  
TRENCH GEOMETRY  
DESIGN AND  
EXCAVATION SAFETY  
PROCEDURES



NOTE: When using this  
detail, determine the  
street type and  
cross out those  
classifications which  
do not apply.

# CITY OF GREENFIELD

## STANDARD DETAIL

### ASPHALT STREET CUT REPAIR DETAIL

Dwn.By: *D.Rodgers*

Origin Date: 12/29/98

Des. No: R-101-01

Rev. Date: 12/10/07

## ASPHALT PAVEMENT REPAIR SPECIFICATIONS

### I. MATERIALS

#### A. ASPHALT

1. Asphalt Material shall meet the requirements of Section 403 of the INDDOT Standard Specifications.
2. The required thickness of the pavement patch is based on the Thoroughfare Designation as established by the Greenfield Comprehensive Plan.

#### B. BEDDING AND BACKFILL

1. Granular material must be used to backfill the excavation. The material must be mechanically compacted in lifts not to exceed 12".

### II. EXECUTION

#### A. TRAFFIC SAFETY

1. Road Closures are not allowed except when specifically approved by the City of Greenfield Police Department Traffic Safety Officer.
2. The Worksite Traffic Control Manual as published by INDDOT shall be used as a guideline for establishing traffic control and safety measures for all road cuts and pavement repairs.
3. The worksite must be completely protected from vehicular and pedestrian traffic at all times. The use of Type II Barricades with flashing lights or drums with flashing lights is required.
4. All Traffic Control and Safety Equipment and sufficient personnel to erect and operate the equipment must be onsite before any construction in the Right-of-Way begins.

#### B. PERMIT REQUIRED

1. A Right of Way Cut Permit is required before any work is performed in the City Right-of-Way.
2. The Right of Way Cut Permit is issued by the City Engineers Office.

INSTALL #4 J-BARS  
@ 18" O.C. ALONG  
ENTIRE LENGTH  
OF MATCHLINE

EXISTING  
CONCRETE

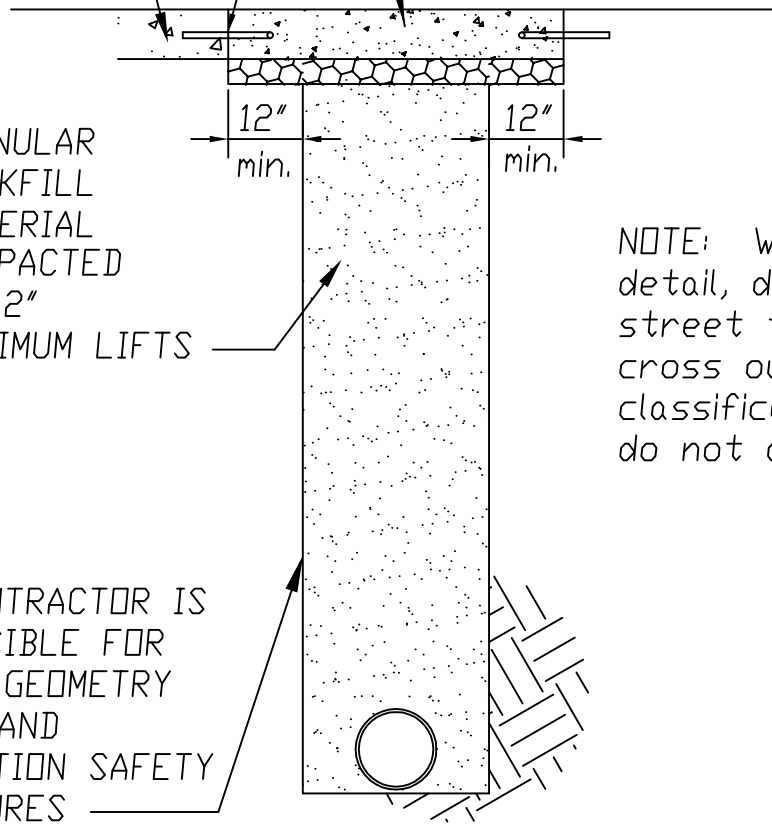
8" CONCRETE (ARTERIAL) \*  
7" CONCRETE (COLLECTOR/FEEDER) \*  
6" CONCRETE (RESIDENTIAL) \*  
4" COMPACTED AGGREGATE SUBBASE

\* SEE THOROUGHFARE PLAN

GRANULAR  
BACKFILL  
MATERIAL  
COMPACTED  
IN 12"  
MAXIMUM LIFTS

NOTE: When using this  
detail, determine the  
street type and  
cross out those  
classifications which  
do not apply.

THE CONTRACTOR IS  
RESPONSIBLE FOR  
TRENCH GEOMETRY  
DESIGN AND  
EXCAVATION SAFETY  
PROCEDURES



# CITY OF GREENFIELD

## STANDARD DETAIL

### CONCRETE STREET CUT REPAIR DETAIL

Dwn.By: *D.Rodgers*

Origin Date: 12/29/98

Des. No: R-102-01

Rev. Date: 12/10/07

## CONCRETE PAVEMENT REPAIR SPECIFICATIONS

### I. MATERIALS

#### A. CONCRETE

1. Concrete shall be a High-Early-Strength mix capable of supporting vehicular traffic within 12 hours.
2. Concrete Material shall meet the requirements of Section 702 of the INDOT Standard Specifications.
3. INDOT Standard Specifications Section 501.10 Limitations of Mixing shall govern the placement of concrete in cold weather.
4. The required thickness of the concrete patch is based on the Thoroughfare Designation as established by the Greenfield Comprehensive Plan.
5. J-Bars are required as shown in the drawing. Other types of load transfer joints may be approved prior to construction.

#### B. BEDDING AND BACKFILL

1. Granular material must be used to backfill the excavation. The material must be mechanically compacted in lifts not to exceed 12".

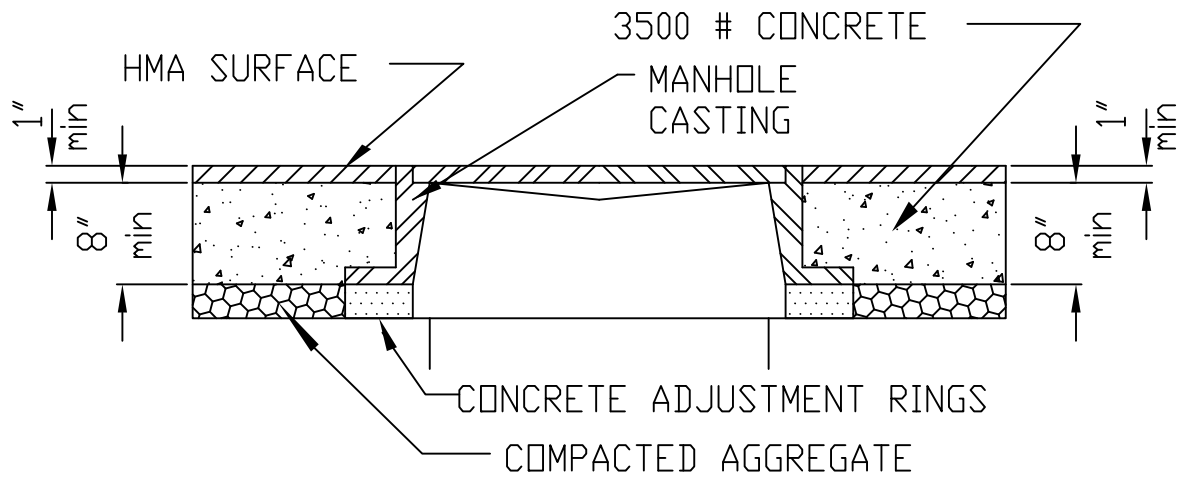
### II. EXECUTION

#### A. TRAFFIC SAFETY

1. Road Closures are not allowed except when specifically approved by the City of Greenfield Police Department Traffic Safety Officer.
2. The Worksite Traffic Control Manual as published by I.D.D.T. shall be used as a guideline for establishing traffic control and safety measures for all road cuts and pavement repairs.
3. The worksite must be completely protected from vehicular and pedestrian traffic at all times. The use of Type II Barricades with flashing lights or drums with flashing lights is required.
4. All Traffic Control and Safety Equipment and sufficient personnel to erect and operate the equipment must be onsite before any construction in the Right-of-Way begins.

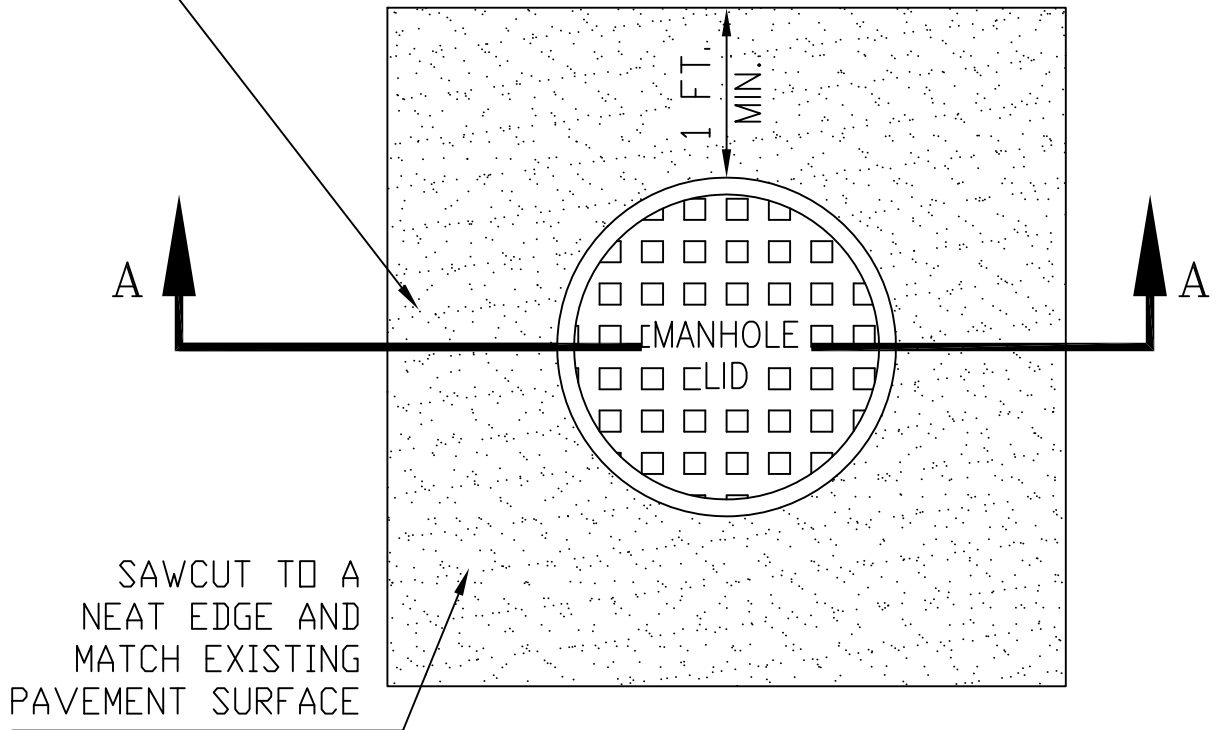
#### B. PERMIT REQUIRED

1. A Right Of Way Cut Permit is required before any work is performed in the City Right-of-Way.
2. The Right Of Way Cut Permit is issued by the City Engineers Office.



**SECTION "A-A"**

REMOVE EXISTING PAVEMENT  
AND REPLACE WITH MINIMUM  
8" OF CONCRETE, TOPPED  
WITH 1" OF HMA SURFACE



**CITY OF GREENFIELD**

**STANDARD DETAIL**

Manhole Casting Adjustment in Asphalt Street

Dwn.By: D.Rodgers

Origin Date: 01/05/99

Des. No: R-106-02

Rev. Date: 9/30/10

## MANHOLE ADJUSTMENT IN ASPHALT STREET SPECIFICATIONS

### I. MATERIALS

#### A. CONCRETE

1. Concrete shall be a High-Early-Strength mix capable of supporting vehicular traffic within 12 hours.
2. Concrete Material shall meet the requirements of Section 702 of the INDOT Standard Specifications.
3. INDOT Standard Specifications Section 501.10 Limitations of Mixing shall govern the placement of concrete in cold weather.
4. The required thickness of the concrete patch is based on the Thoroughfare Designation as established by the Greenfield Comprehensive Plan.
5. J-Bars are required as shown in the drawing. Other types of load transfer joints may be approved prior to construction.

#### B. ASPHALT

1. Asphalt Material shall meet the requirements of Section 403 of the I.D.O.T. Standard Specifications.

#### C. CASTING

1. Casting shall be East Jordan Iron Works casting #1020 & 1022 or approved equal.
2. Lid shall be stamped with the words "CITY OF GREENFIELD - SANITARY" or "CITY OF GREENFIELD - STORM".
3. Joint sealant under the casting shall be two rings of non-hardening butyl rubber rope, Conseal or equal. (Kent Seal is not acceptable)

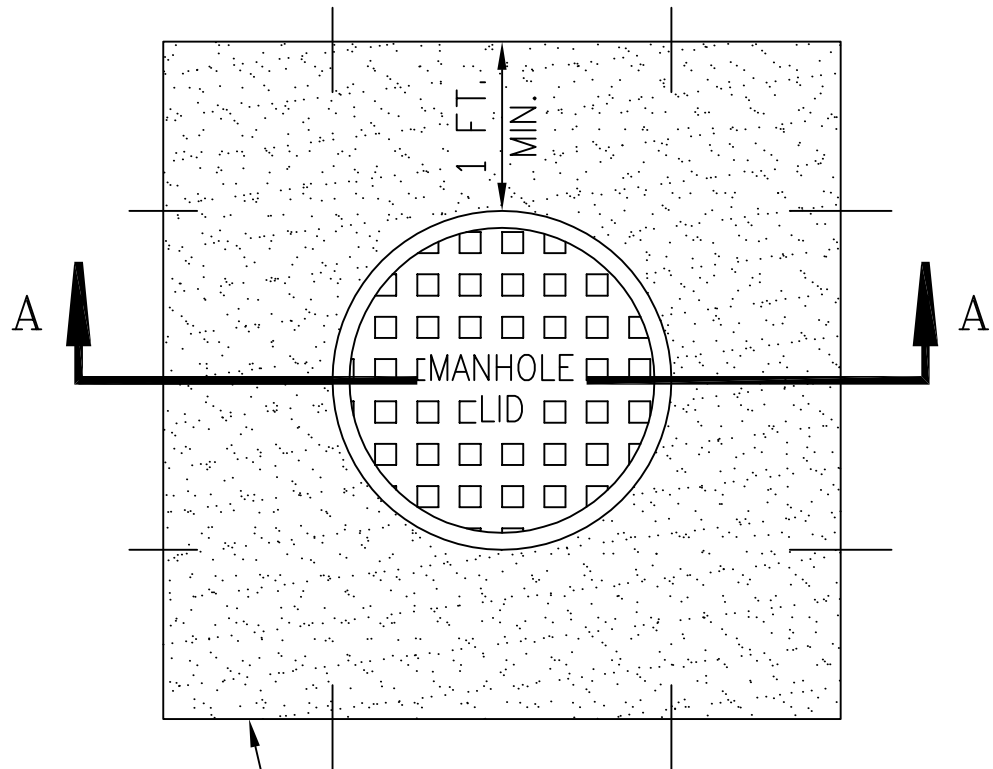
### II. EXECUTION

#### A. TRAFFIC SAFETY

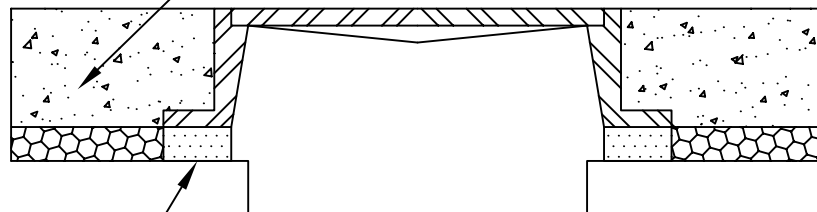
1. Road Closures are not allowed except when specifically approved by the City of Greenfield Police Department Traffic Safety Officer.
2. The Worksite Traffic Control Manual as published by I.D.O.T. shall be used as a guideline for establishing traffic control and safety measures for all road cuts and pavement repairs.
3. The worksite must be completely protected from vehicular and pedestrian traffic at all times. The use of Type II Barricades with flashing lights or drums with flashing lights is required.
4. All Traffic Control and Safety Equipment and sufficient personnel to erect and operate the equipment must be onsite before any construction in the Right-of-Way begins.

#### B. PERMIT REQUIRED

1. A Right Of Way Cut Permit is required before any work is performed in the City Right-of-Way.
2. The Right Of Way Cut Permit is issued by the City Engineers Office.



SAWCUT AND REMOVE EXISTING  
CONCRETE AND REPLACE PER  
CITY OF GREENFIELD  
CONCRETE STREET CUT REPAIR  
STANDARD DETAIL



CONCRETE ADJUSTMENT RINGS  
SECTION "A-A"

# CITY OF GREENFIELD

## STANDARD DETAIL

Manhole Casting Adjustment in Concrete Street

Dwn.By: *D.Rodgers*

Origin Date: 01/05/99

Des. No: R-107-01

Rev. Date: 12/10/07



## MANHOLE ADJUSTMENT IN CONCRETE STREET SPECIFICATIONS

### I. MATERIALS

#### A. CONCRETE

1. Concrete shall be a High-Early-Strength mix capable of supporting vehicular traffic within 12 hours.
2. Concrete Material shall meet the requirements of Section 702 of the INDOT Standard Specifications.
3. INDOT Standard Specifications Section 501.10 Limitations of Mixing shall govern the placement of concrete in cold weather.
4. The required thickness of the concrete patch is based on the Thoroughfare Designation as established by the Greenfield Comprehensive Plan.
5. J-Bars are required as shown in the drawing. Other types of load transfer joints may be approved prior to construction.

#### B. CASTING

1. Casting shall be East Jordan Iron Works casting #1020 & 1022 or approved equal.
2. Lid shall be stamped with the words "CITY OF GREENFIELD - SANITARY" or "CITY OF GREENFIELD - STORM".
3. Joint sealant under the casting shall be two rings of non-hardening butyl rubber rope, Conseal or equal. (Kent Seal is not acceptable)

### II. EXECUTION

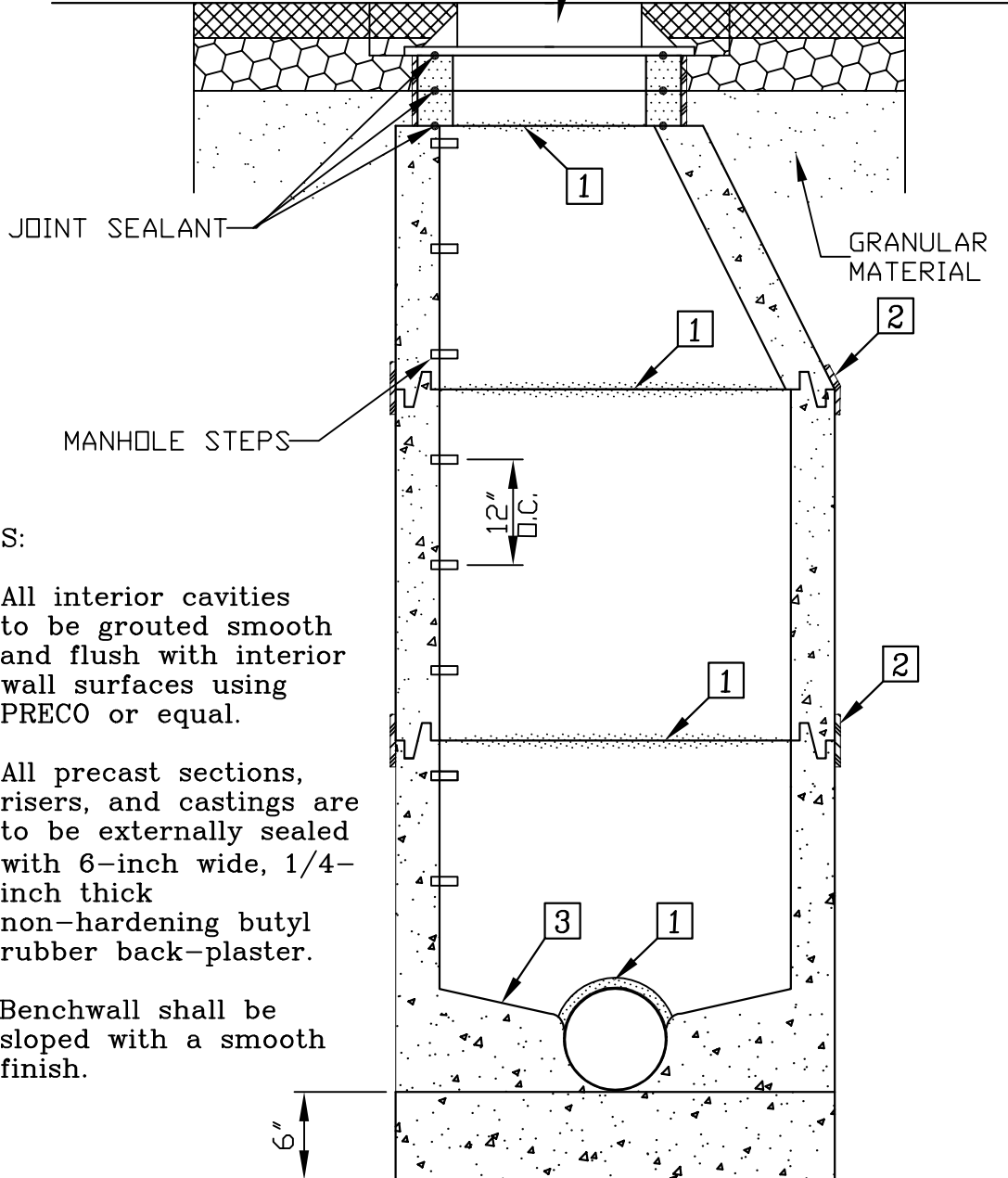
#### A. TRAFFIC SAFETY

1. Road Closures are not allowed except when specifically approved by the City of Greenfield Police Department Traffic Safety Officer.
2. The Worksite Traffic Control Manual as published by I.D.O.T. shall be used as a guideline for establishing traffic control and safety measures for all road cuts and pavement repairs.
3. The worksite must be completely protected from vehicular and pedestrian traffic at all times. The use of Type II Barricades with flashing lights or drums with flashing lights is required.
4. All Traffic Control and Safety Equipment and sufficient personnel to erect and operate the equipment must be onsite before any construction in the Right-of-Way begins.

#### B. PERMIT REQUIRED

1. A Right Of Way Cut Permit is required before any work is performed in the City Right-of-Way.
2. The Right Of Way Cut Permit is issued by the City Engineers Office.

EAST JORDAN IRON WORKS  
 CASTING #1022 WITH GASKET LID  
 (OR APPROVED EQUAL)  
 WITH "CITY OF GREENFIELD  
 SANITARY" CAST IN LID



NOTES:

- 1 All interior cavities to be grouted smooth and flush with interior wall surfaces using PRECO or equal.
- 2 All precast sections, risers, and castings are to be externally sealed with 6-inch wide, 1/4-inch thick non-hardening butyl rubber back-plaster.
- 3 Benchwall shall be sloped with a smooth finish.

<b>CITY OF GREENFIELD</b>	
<b>STANDARD DETAIL</b>	
<b>SANITARY SEWER MANHOLE</b>	
Dwn.By: <i>D.Rodgers</i>	Origin Date: 01/04/99
Des. No: SN-115-02	Rev. Date: 08/01/08

## SANITARY SEWER MANHOLE SPECIFICATIONS

### I. MATERIALS

#### A. CASTING

1. Casting shall be East Jordan Iron Works casting 1022 or approved equal with Gasketed Lid.
2. Lid shall be stamped with the words "CITY OF GREENFIELD – SANITARY".
3. A minimum of 4" and a maximum of 12" of concrete adjustment rings shall be installed under the casting.
4. Joint sealant under the casting, between the adjustment rings and between the adjustment rings and the manhole shall be two rings of non-hardening butyl rubber rope, Conseal or equal. (Kent Seal is not acceptable)

#### B. CONCRETE MANHOLE

1. 48" diameter precast concrete sections shall be used to construct the manhole barrel.
2. A flat-top may not be used in place of a cone section unless specifically approved by City Officials before construction begins.
3. All openings for sewers entering and leaving the manhole shall be core-drilled and fitted with a resilient, watertight connector.
4. All joints shall be fully sealed and watertight. The use of a rubber gasket is required.
5. The steps shall be made of plastic-coated steel and shall be placed as shown on the drawing.
6. The invert must be constructed as shown on the drawing.
7. Lateral Taps into manholes are not allowed.

#### C. BEDDING AND BACKFILL

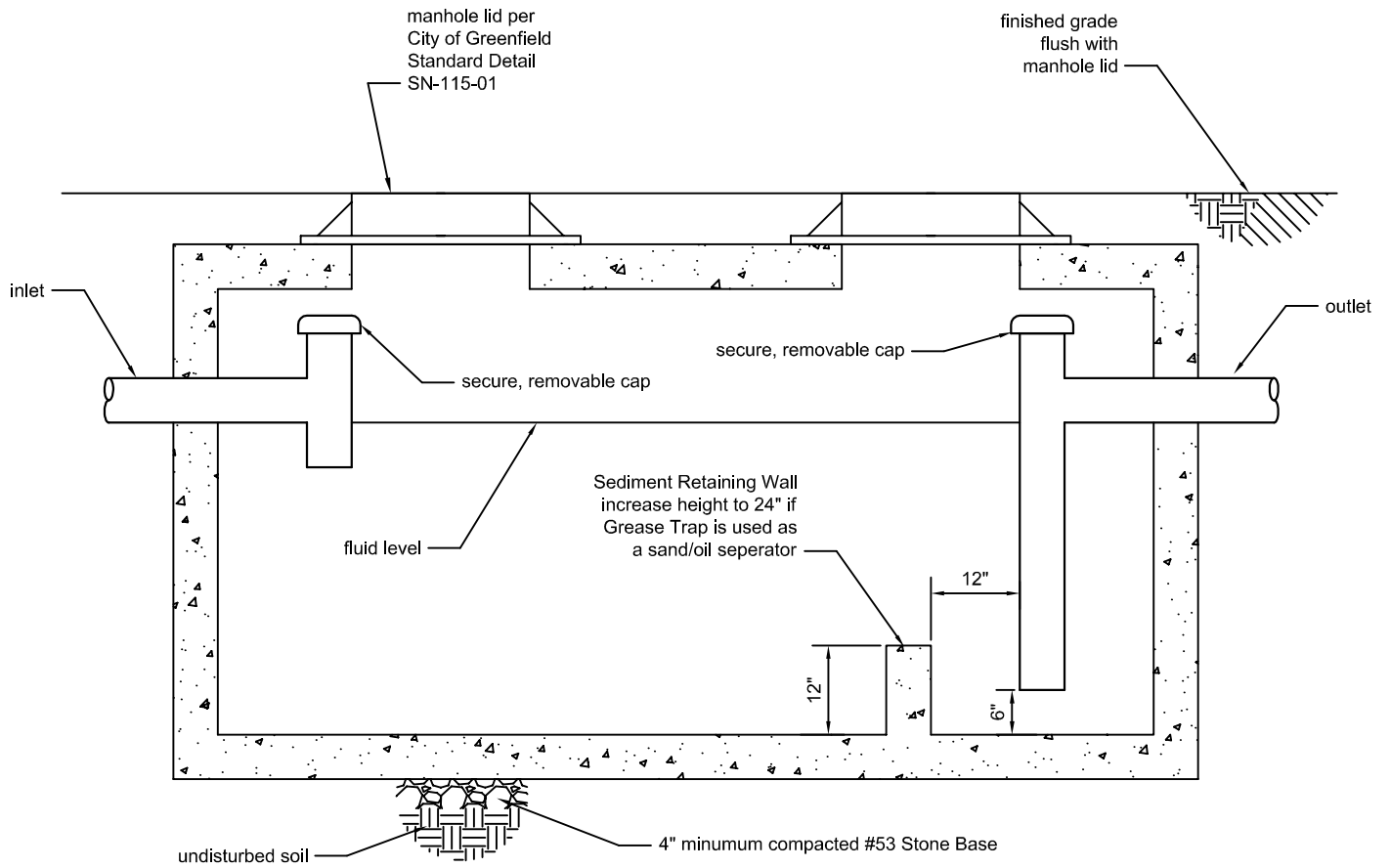
1. The manhole must be constructed directly upon undisturbed soil or a minimum of 6" of compacted crushed stone.
2. Granular material must be used to backfill the excavation. The material must be mechanically compacted in lifts not to exceed 12".

### II. EXECUTION

#### A. INSPECTIONS

1. The manhole must be inspected by the Wastewater Treatment and Collections Department designated Inspector before the excavation is backfilled.

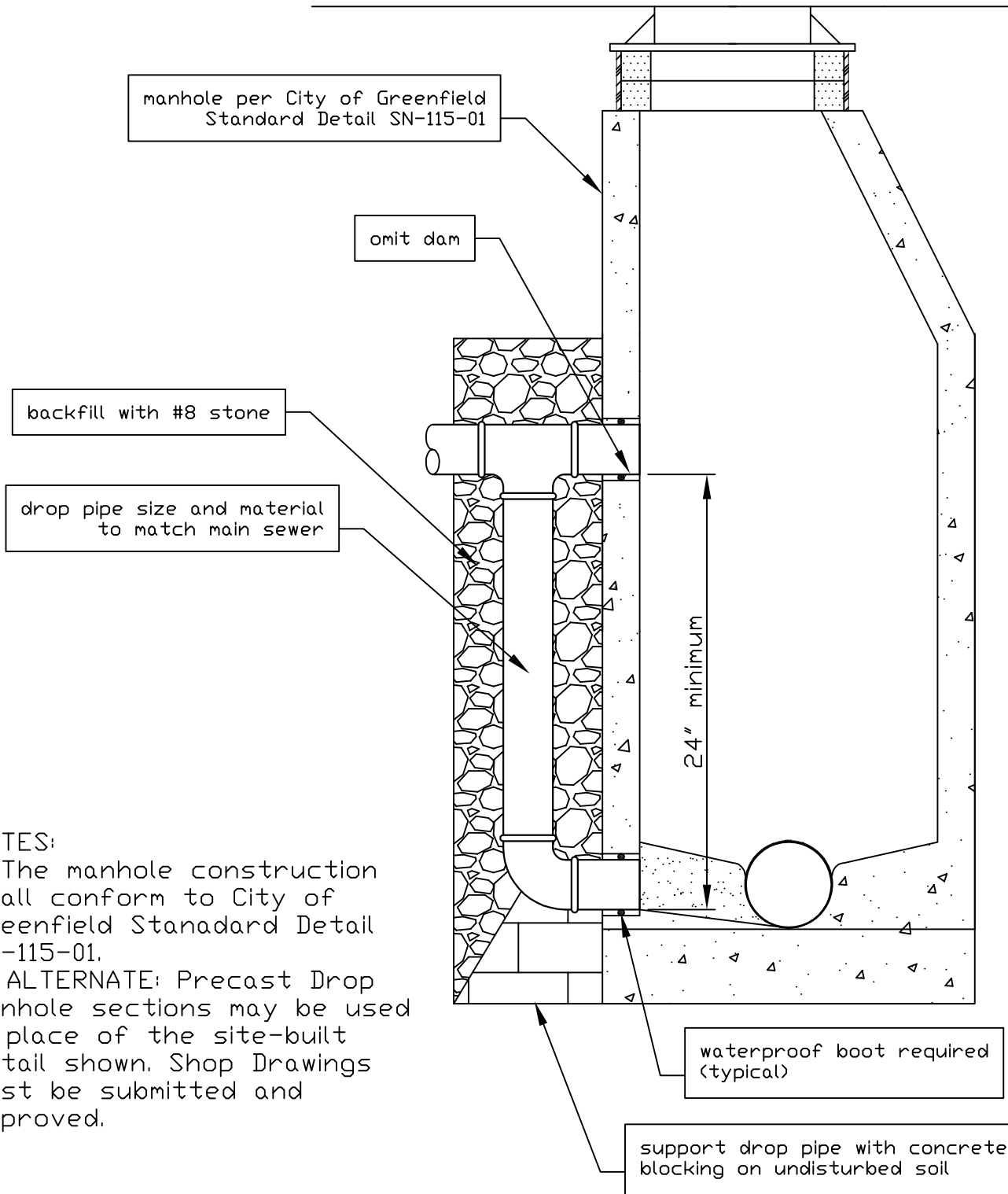
Call 477-4360



**NOTES:**

1. To facilitate cleaning, manhole lid openings must not be obstructed by the inlet or discharge piping assemblies.
2. This structure must be designed to withstand H2O loading conditions.

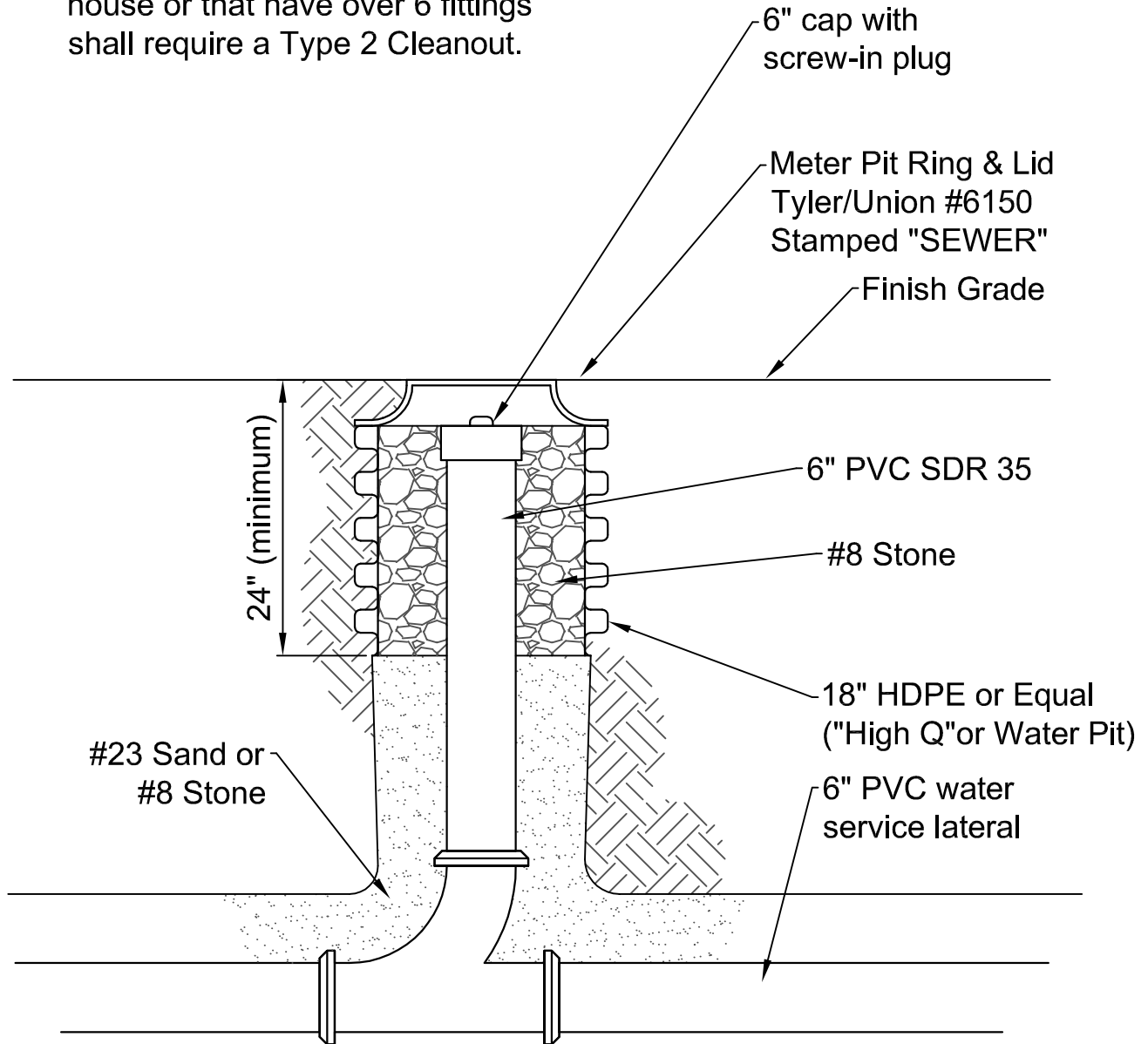
<b>CITY OF GREENFIELD</b>	
<b>STANDARD DETAIL</b>	
<b>Commercial Grease Trap</b>	
Dwn.By: <i>D.Rodgers</i>	Origin Date: 09/04/08
Des. No: SN-134	Rev. Date:



NOTES:  
 1. The manhole construction shall conform to City of Greenfield Standard Detail SN-115-01.  
 2. ALTERNATE: Precast Drop Manhole sections may be used in place of the site-built detail shown. Shop Drawings must be submitted and approved.

<b>CITY OF GREENFIELD</b>	
<b>STANDARD DETAIL</b>	
<b>SANITARY SEWER DROP MANHOLE</b>	
Dwn.By: <i>D.Rodgers</i>	Origin Date: 09/16/2008
Des. No: SN-135	Rev. Date:

Laterals that are over 100 feet in length between the main and the house or that have over 6 fittings shall require a Type 2 Cleanout.



# CITY OF GREENFIELD

## STANDARD DETAIL

### CLEAN-OUT TYPE 2

Dwn. By: *D. Rodgers*

Origin Date: 10/31/08

Des. No: SN-136

Rev. Date: